

## ELECTRONIC SIGNALLING OF FUSE STATE



Compact modular electronic signalling of fuse state.

- Can be used for fuses of all types and sizes
- Monitoring of fuse state in fuse switch-disconnectors and fuse-bases.
- Signals even if loads are switched off.
- One make contact.
- Modular, mounted on „U“ rail TH35.

### Electronic signalling of fuse state

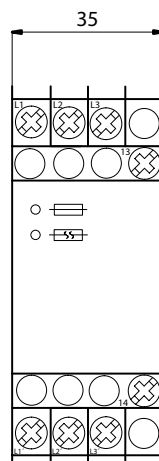
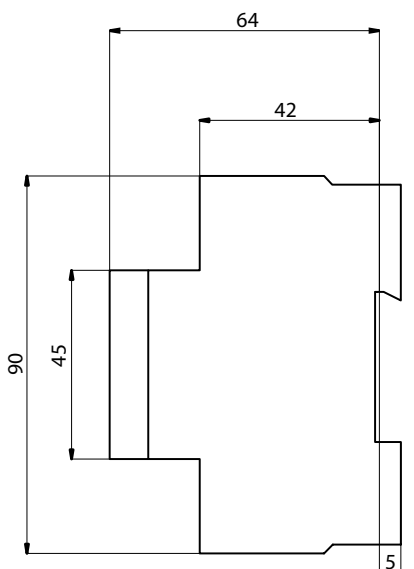
Type	Product code	Weight [kg]	Package [pcs]
MD-M3	38614	0.15	1

### Parameters

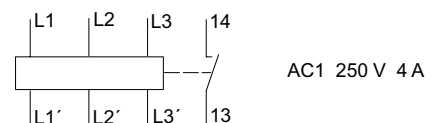
Rated operating voltage	$U_e$	250 V a.c.
Rated operating current	$I_e$	4 A
Rated control voltage	$U_c$	3x380 ÷ 415 V
Operating range		0.8 ÷ 1.1 x $U_c$
Rated frequency		50 ÷ 400 Hz
Input impedance		> 1000 Ω/V
Maximum permitted backwards power supply		90 %
Response /relase time		< 50 ms
Rated pulse withstand voltage	$U_{imp}$	> 4 kV
Electrical endurance	AC-15	1.5x10 <sup>5</sup>
Mechanical endurance		> 10 <sup>8</sup>
Degree of protection		IP40/IP20
Number of contacts		1 make
Connection cross-section	solid	max. 2x2.5 mm <sup>2</sup>
	stranded, with end sleeve	min. 1x0.5 mm <sup>2</sup>
Operating ambient temperature		-20 ÷ +60 °C
Climatic resistance according	to EN 60068-1	20/060/04
Standards		IEC 60 255;
		DIN VDE 435-110

\* The internal resistance of measuring circuits of the fuse monitor is in the MΩ range, therefore when there is fuse missing or it is defective the conditions of contact voltage are still kept (according to EC 974-1, internal resistance >2000 Ω/V).  
In order to switch off the device the main back-up circuit breaker has to be disconnected.

### Dimensions



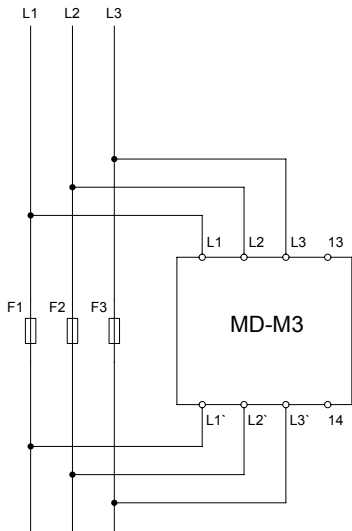
### Diagram



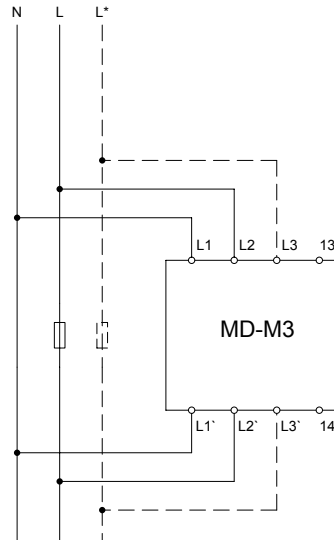
## ELECTRONIC SIGNALLING OF FUSE STATE

### Connection

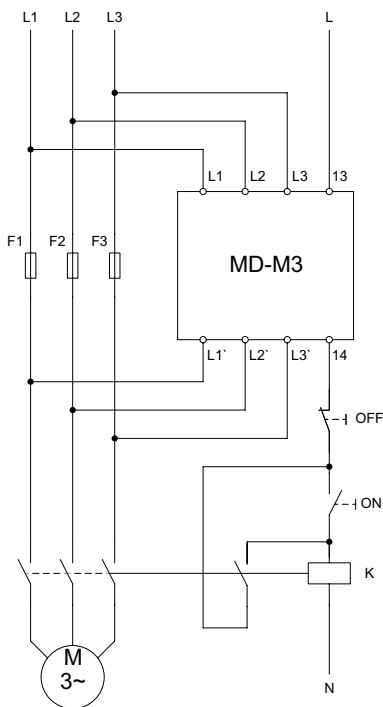
3- pole



1- pole or 2-pole



\* It is possible to check the second fuse in the same or different phase at the clamps L3-L3'.



Application from practice, e.g.. automatic disconnection and lock of turning-on of the three-phase motor when there is drop-out of one or several phase fuses.